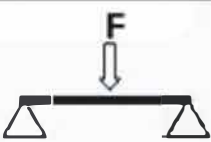
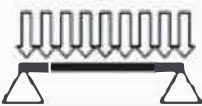


FLEXTRACK LIGHT



FLEXTRACK LIGHT IS A MULTI-PURPOSE TRACK-SYSTEM IN ANODIZED BLACK ALUMINUM. DESIGNED FOR HEAVY CURTAINS AND LIGHT SCENERY CARRIERS.

LOADTABLE (5MM DEFLECTION)

LENGTH [M]	CENTRE POINT LOAD [KG]	F	
			UNIFORMLY DISTRIBUTED LOAD [KG]
1,0 M	425 KG		685 KG
2,0 M	50 KG		85 KG
3,0 M	15 KG		25 KG
4,0 M	6 KG		10 KG
5,0 M	3 KG		5 KG
6,0 M	2 KG		3 KG

Functions

- Aluminum profile 49,5 x 60 mm
- Available curved up to radius 800 mm
- Matt black anodized
- Multi-functional i.e. can always be enlarged
- Motorized or with manual operation
- Broad range of configurations and setups for mounting
- Cord or motor-driven
- Material: EN AW 6060 – T6



**PribeHOLD**