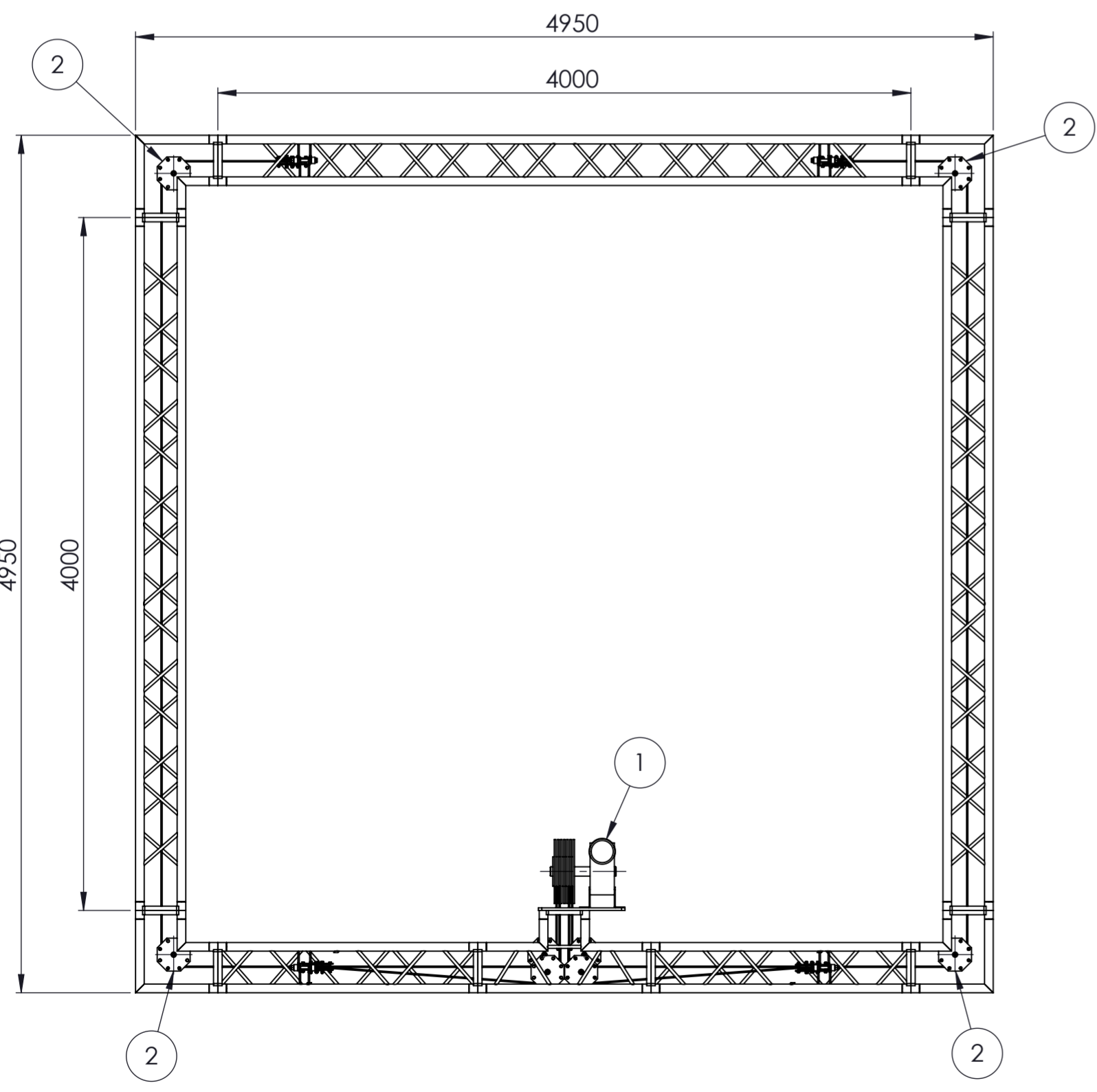
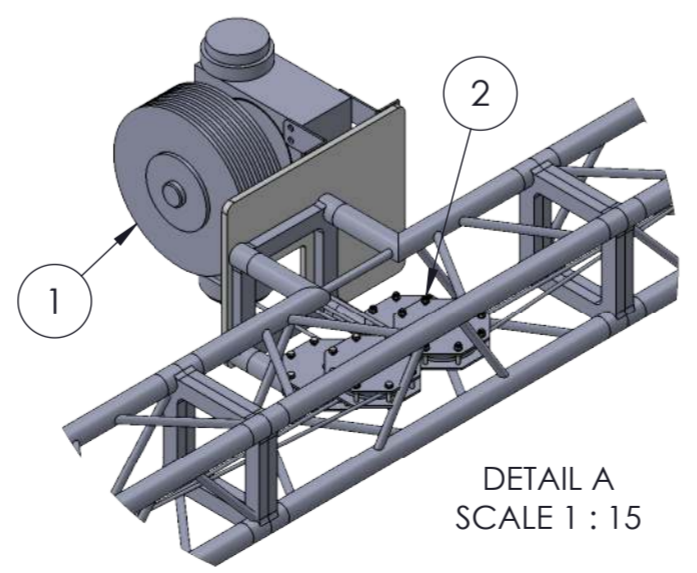
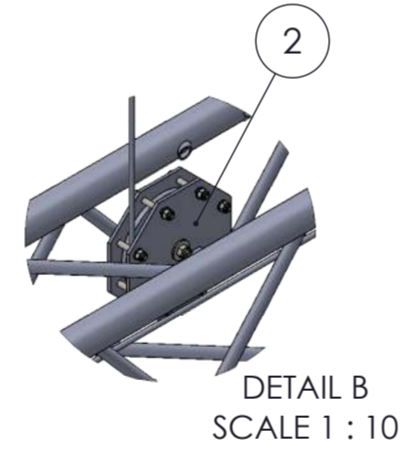
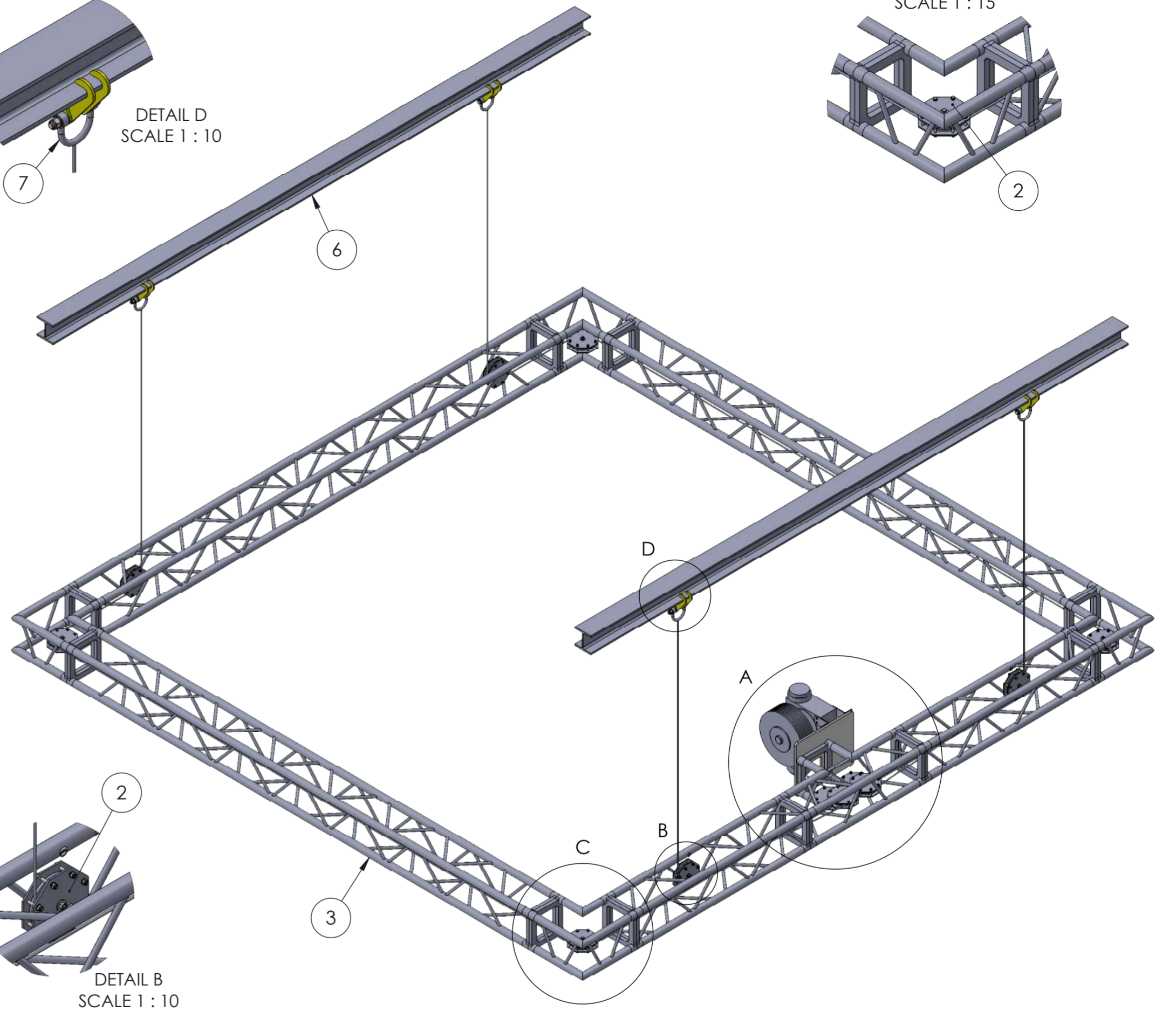
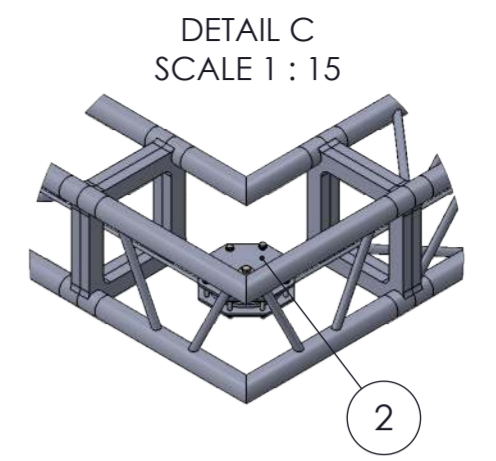
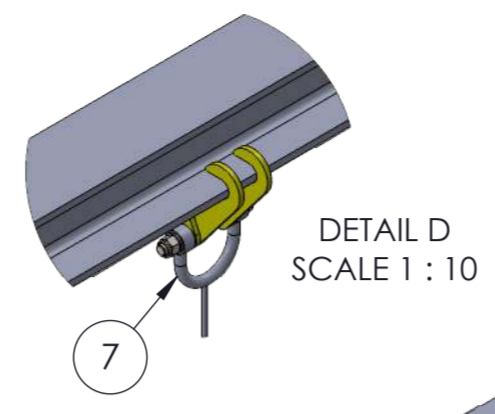
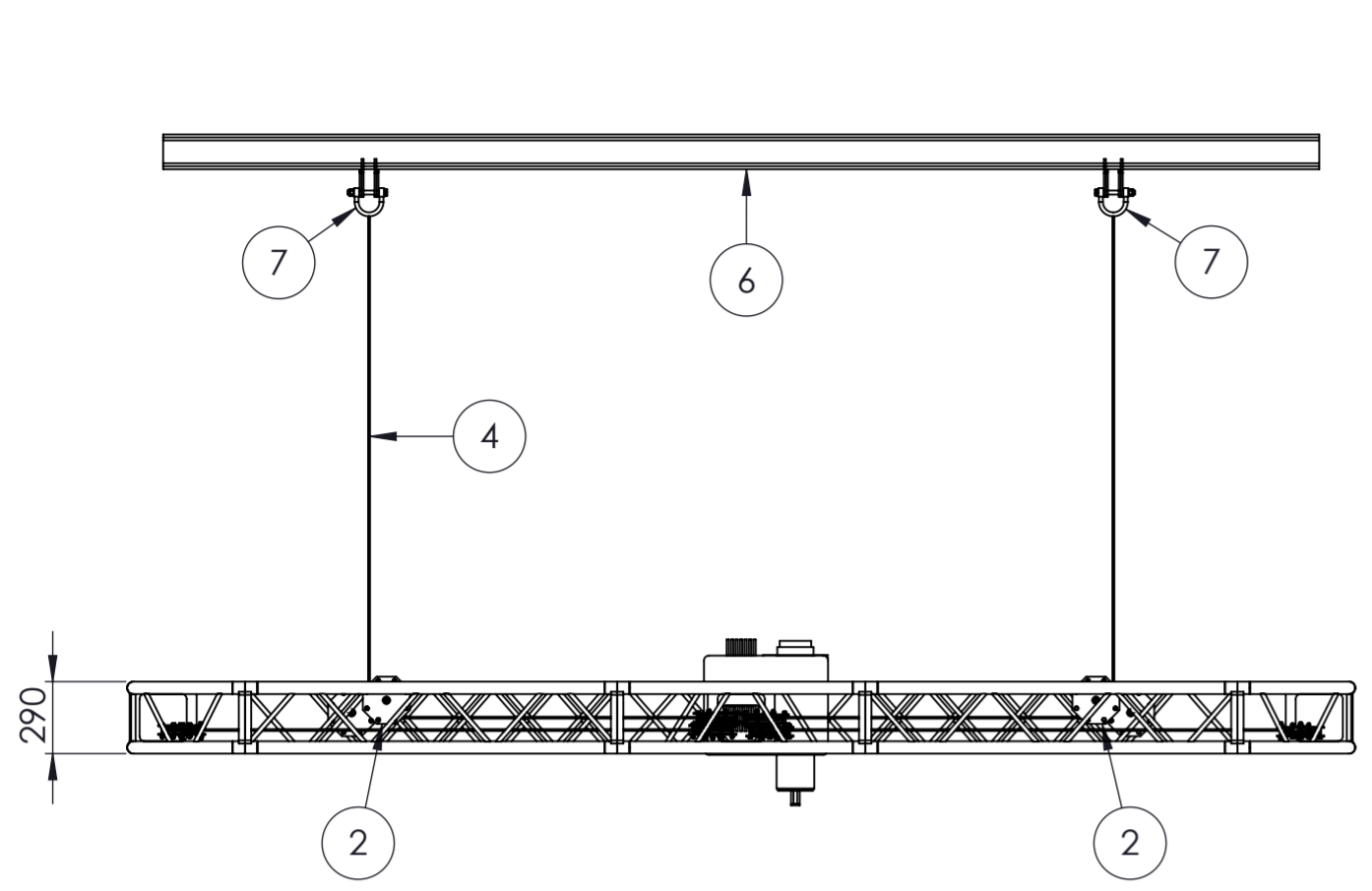


A B C D E F G H



ITEM NO.	PART NUMBER	DESCRIPTION	QTY.
1	HOIST SHOW LIFT 500	HOIST SHOW LIFT 500	1
2	SRK 6.1	SRK 6.1	12
3	155-011-1	FLEXTRUSS SQUARE	1
4	155-021-1	WIRE 7,5 mm	1
5	154-031-1	END PLATE	1
6	155-031-1	HEB 140	2
7	155-040-1	BEAM CLAMP	4

		DESCRIPTION		8
General tolerance UNI EN 22768-1/2		FLEXTRUSS CLIMBING SQUARE		7
DATE		MATERIAL		6
15-12-2020				5
SIZE		SURFACE		4
A2				3
SCALE		DRAWING NUMBER		2
1:30		155-002-1		1
WEIGHT kg		Version		
		1		
This drawing is our property; it can't be reproduced or communicated without our written agreement.				Modifications

A B C D E F G H